



FOR IMMEDIATE RELEASE

May 14, 2008

OSCI's LumenHammer™ LED Light Engine delivers high brightness

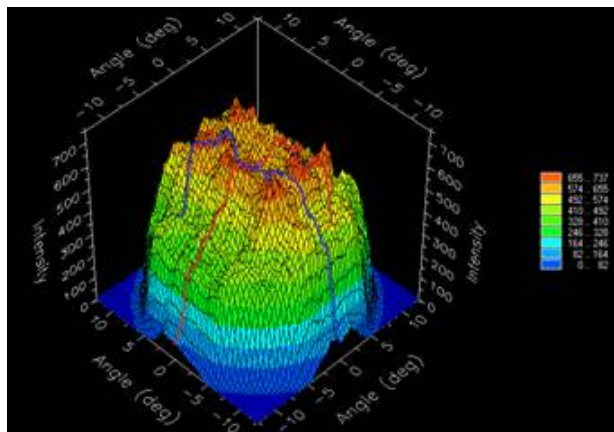
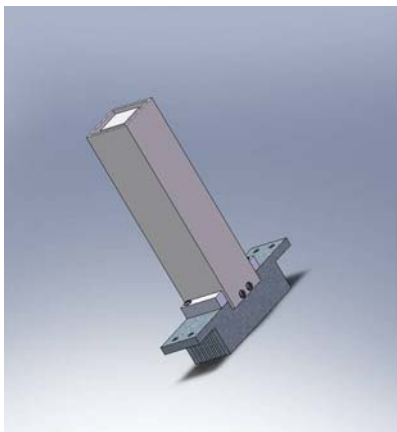
Corvallis, OR—Efficiently collecting light from high-brightness LED's has been a real challenge until LumenHammer™ Light Engines. Optical Short Course International Inc's (OSCI) Illumination Designers have developed the LumenHammer™ Light Engine to collect high-brightness LED light with high efficiency and deliver it into a very narrow beam angle. Historically, collection efficiency and collimation are two difficult parameters to conquer.

With recent R&D efforts, OSCI has achieved both in one fantastic LED light engine in the LumenHammer™ Light Engine. With a Half Divergence Angle of 10° in X and Y and an Exit Aperture of 15mm sq, the standard LumenHammer™ LED Light Engine Total Lumen output of 400 lumens in white and 90 lumens in green.

Originally designed with OSRAM Ostar® red, amber, green, blue, and white high-brightness LEDs, OSCI Illumination Designers have also developed custom LumenHammer™ LED Light Engines to works with Luminus Devices, Lumileds™, and Cree HB LEDs.

Standard and custom LumenHammer™ LED Light Engine applications include: architectural lighting, process automation, display industry, machine vision, medical, dental, defense, aviation, aerospace, automotive, transportation, consumer electronics, and entertainment lighting.

From design and analysis to the prototyping and production, OSCI continues to create innovative high-brightness LED illumination design solutions for clients worldwide.



For additional information to tame your high-brightness LED problems or LumenHammer™ LED Light Engine custom solutions; visit us at <http://oscintl.com/lumenhammer.htm> or call 541-255-2183.

FOR MORE INFORMATION, CONTACT:

Optical Short Course International Inc.

1128 NW 2nd Street, Suite 104

Corvallis, OR 97330

Traci Pate

E-mail: traci@oscintl.com

Phone: 541.255.2183

www.oscintl.com

###

About Optical Short Course International Inc.

OSCI Inc. offers optical engineering consulting services expertise and leadership in illumination design and analyses, prototypes, reverse optical engineering, as well as customizing in-house training courses to address specific optical engineering issues of our clients. Start-up companies, medium and large companies including Fortune 50, 100, and 500 companies have benefited from partnering with us.

OSCI Inc. is dedicated to accelerating engineers up the steep learning curve of optical engineering topics by delivering innovative training products that advance our clients, worldwide, in their specific technology.

We deliver our optical engineering training in various formats so that we can best meet our client's needs. Formats include eBooks, DVDs, Webinars, Live Schedules Courses, and Private, Custom In-house Courses at our client's facilities.

With more than 20 years of experience, we understand the challenges companies face in gaining and maintaining a foothold in the booming LED-based and illumination industries. We work closely with our clients to ensure the best technical strategies and innovations are used in developing cutting edge technology to implement their optical engineering dreams so they can compete in the world market.

Our areas of brilliance include, but are not limited to:

- High Brightness (HB) LED Optical System Design, Analysis, and Testing
- Illumination Design, Analysis, and Testing
- Custom Fisheye Lens Design, Analysis, Testing and Prototyping for CMOS & CCD Imaging
- Prototyping—High, medium, and low volume production
- Optical Instrument Development, Analysis, and Testing
- High-Brightness LED Light Engines—LumenHammer™ light engines
- Reverse Engineering—Optical Assembly Tear-downs
- Customized In-house Optical Training Courses
- Private Mentoring in Lens Design and Illumination Design

For more information visit www.oscintl.com; email: traci@oscintl.com or call 541.255.2183.

###